

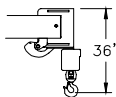
# IC-80-3G

CAPACITIES APPLY TO OPERATION ON FIRM LEVEL SURFACE						
LOAD RADIUS FEET	MAIN BOOM OR EXTENSION CAPACITIES IN POUNDS					
	360° ROTATION		OVER FRONT			
	ON RUBBER	ON OUTRIGGERS	ON RUBBER	ON OUTRIGGERS		
5	9400	17000	11400	18000		
6	7550	14000	10000	14000		
8	5600	10000	8100	10000		
10	4300	7700	6100	7700		
12	3200	6100	4450	6100		
14	2550	5200	3400	5200		
16	2050	4400	2700	4400		
18	1650	3900	2200	3900		
20	1350	3400	1800	3400		
22	1150	3050	1550	3050		
24	1000	2750	1350	2800		
26	850	2450	1200	2550		
28	750	2200	1100	2350		
30	650	1950	1000	2150		
32	450	1750	900	1950		
34	350	1600	800	1800		
36	250	1450	700	1650		
38	200	1300	600	1500		
40	150	1150	500	1400		
10' BOOM EXT. BOOM EXTENSION	10-FOOT BOOM EXTENSION - STRAIGHT OR OFFSET					
	MAIN BOOM ANGLE					
	ANGLE	0°	30°	45°	60°	70°
	*† 0°	2250	2600	3200	5000	7000
	†15°	---	2400	2700	3500	4200
†30°	---	2250	2500	3000	3300	

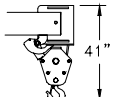
\* USE 0° FOR STRAIGHT BOOM EXTENSION.  
 † USE 0°, 15° OR 30° FOR OFFSET BOOM EXTENSION.

**CAUTION** BOOM EXTENSION LOADS MUST NOT EXCEED MAIN BOOM CAPACITY. DO NOT PICK & CARRY WITH LOADS ON BOOM EXTENSION.

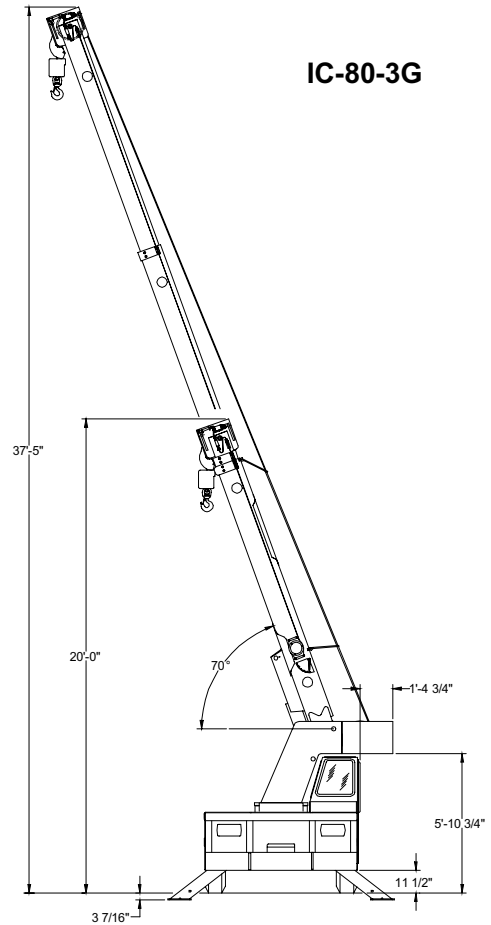
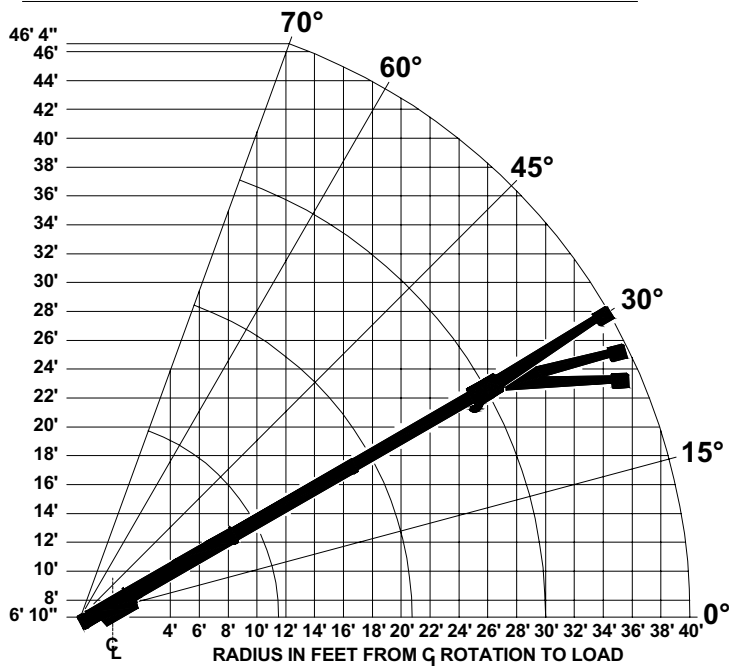
CAPACITIES ON OUTRIGGERS ARE 85% OF TIPPING LOADS. CAPACITIES ON RUBBER ARE 75% OF TIPPING LOADS. CAPACITIES BELOW BOLD LINE ARE LIMITED BY TIPPING. OTHER CAPACITIES ARE LIMITED BY STRUCTURAL OR HYDRAULIC CAPABILITY.



USE SINGLE PART LOAD LINE FOR LOADS TO 9000 LBS. (WT. 90 LBS.)



USE TWO PART LOADLINE FOR LOADS TO 18000 LBS. (WT. 124 LBS.)



IC-80-3G

